

## VPR 450 / VPR 700

### Professional Compacting of Slabs and Pavers

There is an increasing popularity of using large-size slabs for hardscape projects. Weber MT has now come up with the perfect solution for compacting these materials in a gentle and efficient manner: the VPR 450 and VPR 700 paver rollers.

The VPR 450 and the VPR 700 have been designed specifically for the challenging task of compacting slabs and pavers. They roll over these surfaces with exceptional ease and gentleness. This smooth mode of operation embeds the product properly, while preventing shifting, cracking or chipping. At the same time the VPR 450 and VPR 700 greatly minimize dust that is usually created from compacting polymeric jointing sands. Lastly, the rubber coated rollers protect the surface of the slabs and pavers.

While the VPR 700 is specially designed for compaction of larger surface areas, the VPR 450 is made for smaller surfaces or slabs up to 30 cm (11.8 inches).

The industry's leading manufacturers of large-sized slabs and polymeric sands recommend proper compaction. Now there are machines up to this challenge: Weber MT's VPR 450 and VPR 700 Paver Rollers.



### Advantages

- ◆ Ideal for compacting large-size slabs and paving stones
- ◆ Allows for exceptionally gentle compacting
- ◆ Efficient operation even in cramped spaces—increases labor savings
- ◆ Optimal weight distribution across PU rollers
- ◆ Prevents shifting, cracking, and chipping
- ◆ Minimizes dust from compacting polymeric jointing sands
- ◆ Rubber Coated Rollers protect the surface of the installed material
- ◆ Well placed lifting handles
- ◆ 2 Year Warranty



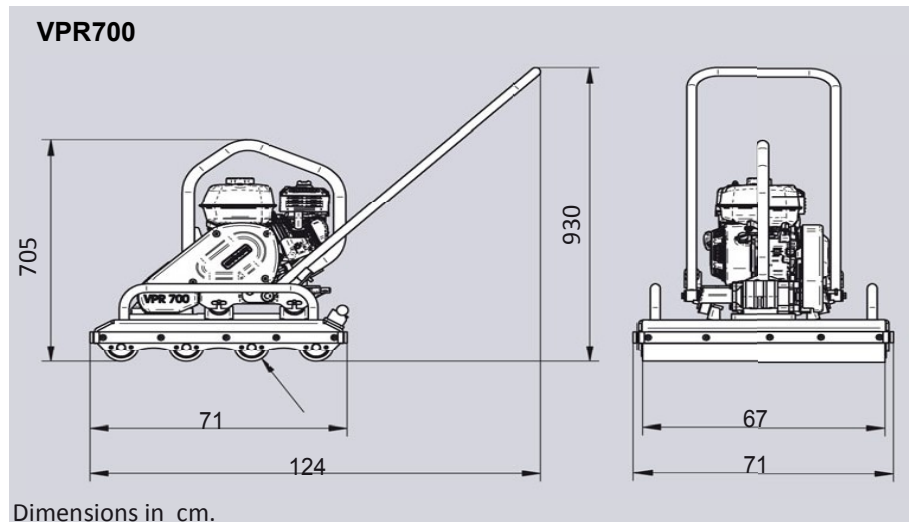
# Paver roller



We Know Compaction

## Technical Data

Type		VPR 450	VPR 700
Operating Weight CECE	lbs (kg)	238 (108)	386 (175)
Centrifugal Force	lbs(kN)	1798 (8)	3150 (14)
Frequency	r.p.m. (Hz)	6000 (100)	6000 (100)
Operating width	in. (mm)	16.5 (420)	26.4 (670)
Engine		Honda GX 160	Honda GX 160
Fuel		4 Stroke Gasoline	4 Stroke Gasoline
Engine power output, maximum	HP (kw)	4.9 (3.6)	4.9 (3.6)
Power output at operating speed	HP (kw)	3.8 (2.8) at 3,200 r.p.m.	3.8 (2.8) at 3,200 r.p.m.
Working speed		Machine is advanced by operator	Machine is advanced by operator
* We reserve the right to alter specifications *			



### Weber MT (USA), Inc.

4717 Broadmoor Ave SE Suite B, Grand Rapids, Michigan 49512 USA

Phone: 800-709-3237 • Fax: 514-543-5142 • sales@webermt.us • www.webermt.us